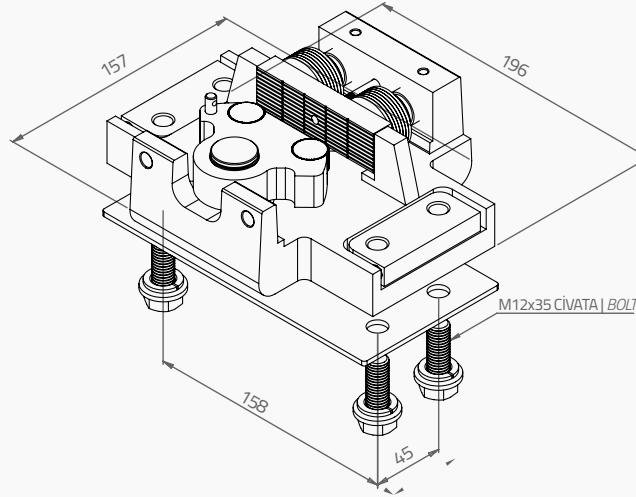
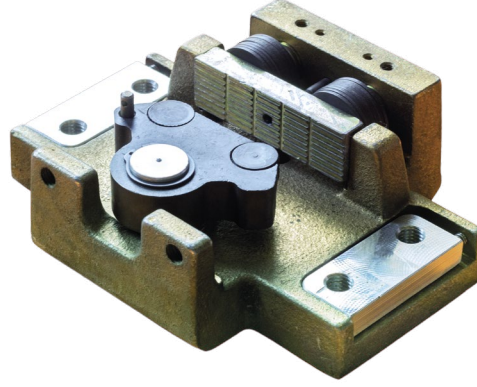


## ALY02

# KAYDIRMALI FREN BLOKU | *PROGRESSIVE SAFETY GEAR*

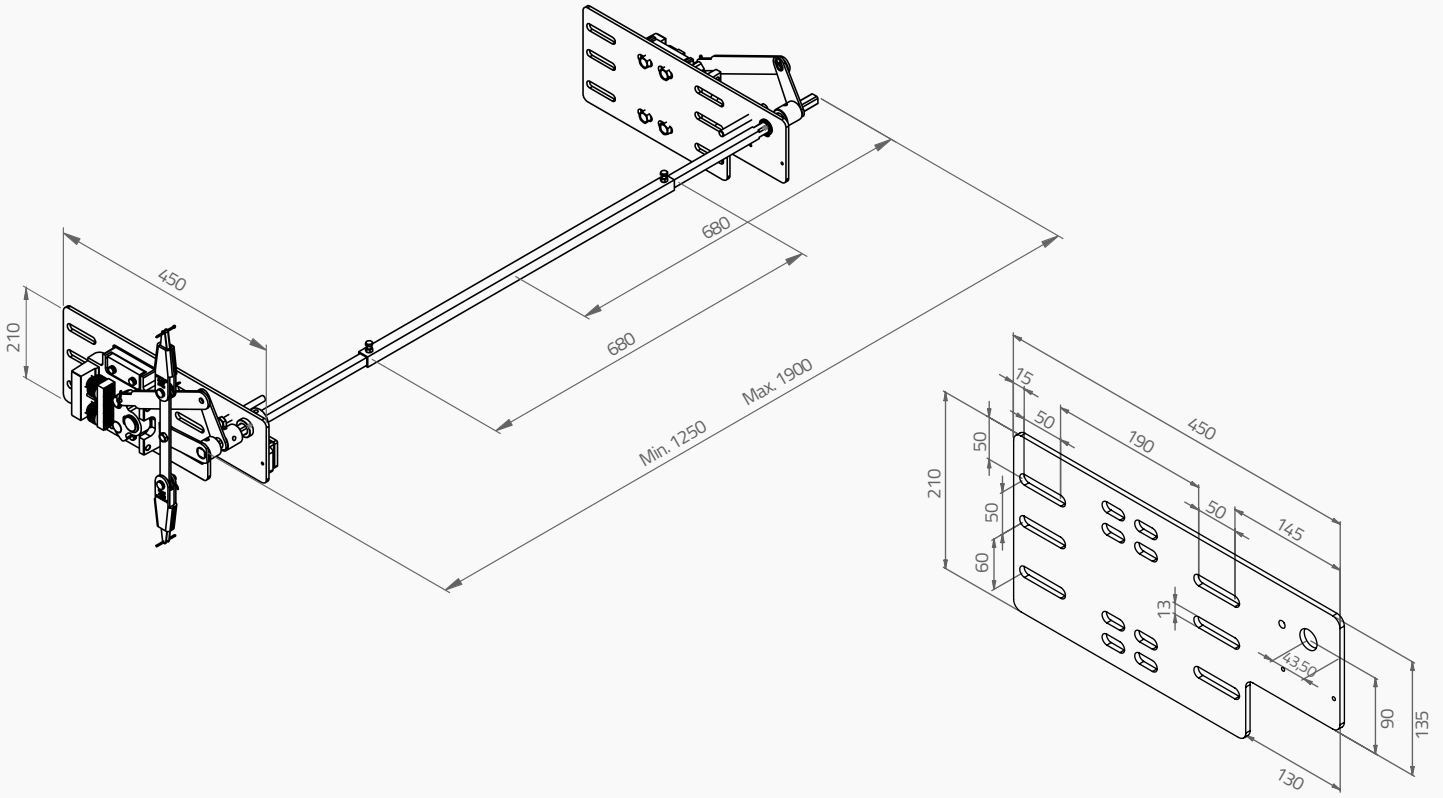
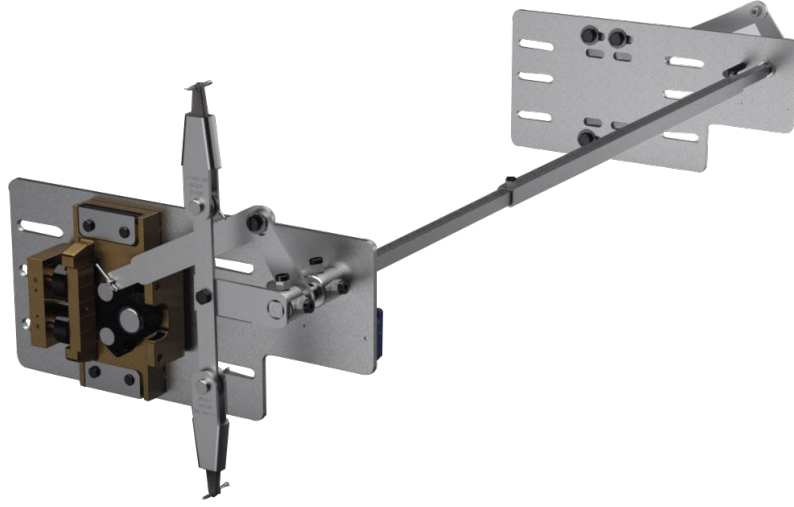
DIN EN81-20/-50  
2014/33/EU



9 mm	<b>KAPASİTE</b> CAPACITY (P+Q) (kg)	1450	1600	1800	2120	2300	2800
	<b>NOMİNAL HIZ</b> NOMINAL SPEED (m/s)	2.00	1.60	1.20	1.00	0.80	0.50
10 mm	<b>KAPASİTE</b> CAPACITY (P+Q) (kg)	1475	1720	1900	2180	2350	2885
	<b>NOMİNAL HIZ</b> NOMINAL SPEED (m/s)	2.00	1.60	1.20	1.00	0.80	0.50
16 mm	<b>KAPASİTE</b> CAPACITY (P+Q) (kg)	1850	1960	2120	2360	2680	3145
	<b>NOMİNAL HIZ</b> NOMINAL SPEED (m/s)	2.00	1.60	1.20	1.00	0.80	0.50

FRENLEME YÖNÜ DIRECTION	VA (MAX) FRENLEME HIZI TRIPPING SPEED	MİN TAŞIMA KAPASİTESİ (P+Q) MIN LOAD	KILAVUZ RAY TİPİ GUIDE RAIL TYPE	KILAVUZ RAY YAĞ ÖZELLİKLERİ LUBRICATOR OIL FOR GUIDE RAIL	KILAVUZ RAY ÖZELLİKLERİ GUIDE RAIL CHARACTER
AŞAĞI YUKARI BI-DIRECTIONAL	2.15 m/s	600 kg	T70 - T75 - T82 - T89 - T90 - T114 - T125 - T127	DIN51524 HLP32 HLP46	SOĞUK ÇEKME VE İŞLENMİŞ COLD DRAWN & MACHINED

## ALY02 PLAKALI | WITH PLATE



PLAKA | PLATE

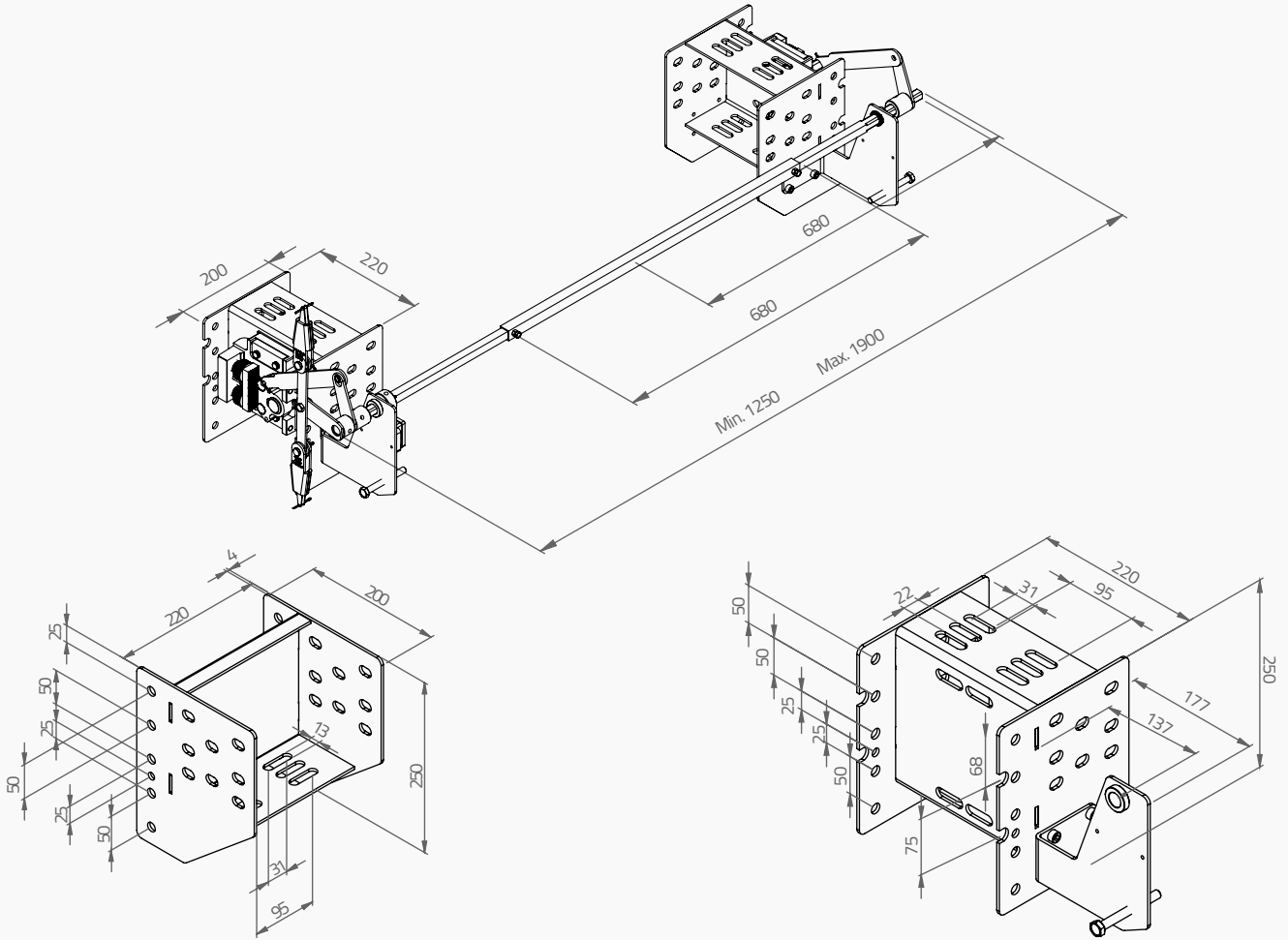
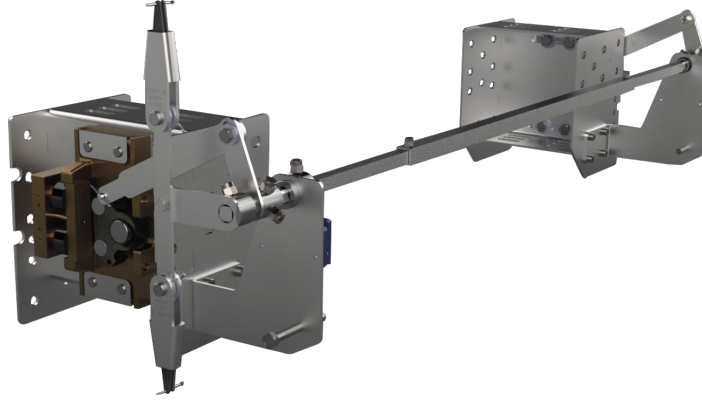
Plaka Kalınlığı 6 mm | Plate Thickness 6 mm

FRENLER  
SAFETY GEARS

### KOLİ BİLGİLERİ | PACKING MEASURE

ÜRÜN KODU PRODUCT CODE	ÜRÜN ADI PRODUCT DESCRIPTION	EN WIDTH (cm)	BOY LENGTH (cm)	YÜKSEKLİK HEIGHT (cm)	AĞIRLIK WEIGHT (kg)
9910	KAYDIRMALI FREN BLOKU PLAKALI 9 mm PROGRESSIVE SAFETY GEAR WITH PLATE 9 mm	46	20	17	21
9911	KAYDIRMALI FREN BLOKU PLAKALI 10 mm PROGRESSIVE SAFETY GEAR WITH PLATE 10 mm				
9912	KAYDIRMALI FREN BLOKU PLAKALI 16 mm PROGRESSIVE SAFETY GEAR WITH PLATE 16 mm				

ALY02  
SEHBALI | WITH CONNECTION PLATFORM



ALT SEHBA | BOTTOM CONNECTION PLATFORM

ÜST SEHBA | UPPER CONNECTION PLATFORM

**KOLİ BİLGİLERİ | PACKING MEASURE**

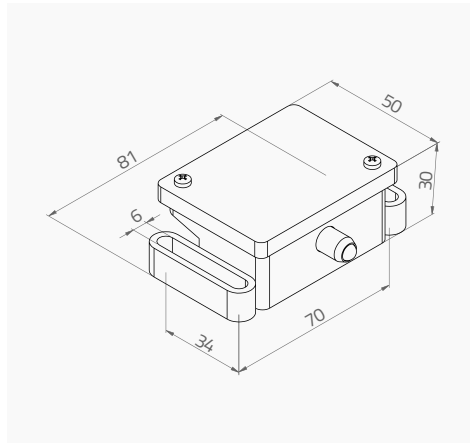
ÜRÜN KODU PRODUCT CODE	ÜRÜN ADI PRODUCT DESCRIPTION	EN WIDTH (cm)	BOY LENGTH (cm)	YÜKSEKLİK HEIGHT (cm)	AĞIRLIK WEIGHT (kg)
9913	KAYDIRMALI FREN BLOKU SEHBALI 9 mm PROGRESSIVE SAFETY GEAR WITH CONNECTION PLATFORM 9 mm	70	23	30	26
9914	KAYDIRMALI FREN BLOKU SEHBALI 10 mm PROGRESSIVE SAFETY GEAR WITH CONNECTION PLATFORM 10 mm	70	23	30	26
9915	KAYDIRMALI FREN BLOKU SEHBALI 16 mm PROGRESSIVE SAFETY GEAR WITH CONNECTION PLATFORM 16 mm	70	23	30	26

## BAĞLANTI PARÇALARI | CONNECTION PARTS



<b>Radansa</b>   Cable Joint Assembly	-	-	1 Adet   Pcs
<b>Çekme Kolları</b>   Draft Arms	-	-	2 Adet   Pcs
<b>Ayarlanabilir Bağlama Çubukları</b>   Adjustable Connection Rod	-	3 x 680 mm	3 Adet   Pcs
<b>Gövde Civataları/Plakalı</b>   Body Bolts/With Plate	M12x30	DIN 933	12 Adet   Pcs
<b>Gövde Civataları/Sehbalı</b>   Body Bolts/With Platform	M12x30	DIN 933	16 Adet   Pcs
<b>Gövde Somunları/Plakalı</b>   Body Nuts/With Plate	M12 Fiberli Somun   Nylon Insert Nut	DIN 985	12 Adet   Pcs
<b>Gövde Somunları/Sehbalı</b>   Body Nuts/With Platform	M12 Fiberli Somun   Nylon Insert Nut	DIN 985	16 Adet   Pcs
<b>Kurtarma Civataları</b>   Rescue Bolt	M10x50 Inbus   Hexagon Socket Head Cap	DIN 912	2 Adet   Pcs
<b>Siviç</b>   Safety Switch	-	ASPAR Marka/ASPAR Brand	1 Adet   Pcs
<b>Siviç Atma Bileziği</b>   Switch Removal Ring	-	-	1 Adet   Pcs
<b>Siviç Civataları</b>   Switch Screw	M5x10 YSB   Cross Recessed Raised Cheese Head Screws	DIN 7985	2 Adet   Pcs
<b>Halat Klemens</b>   Rope Clips	Ø6 mm	JIS	2 Adet   Pcs
<b>Kopilya</b>   Split Pin	DIN 94	DIN 94	2 Adet   Pcs

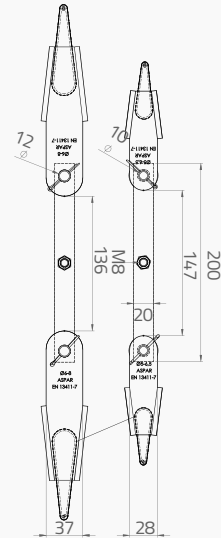
## siviç | SWITCH



<b>Ürün Kodu</b>   PRODUCT CODE	25001
<b>Mekanik Ömür</b>   Mechanical Durability	5.000.000 Açma-Kapama On-Off
<b>Çalışma Sıcaklığı</b>   Operating Temperature	-5 / +60 °C
<b>Koruma Sınıfı</b>   Protection Degree	IP2X – IPX4
<b>Çalışma Gerilimi (Ue)</b>   Rated Operating Voltage	24V 10A - 220V 6A
<b>Çalışma Akımı (Ie)</b>   Operating Current	15 A
<b>Yalıtım Gerilimi (Ui)</b>   Rated Insulation Voltage	660V
<b>Çalışma Frekansı (f)</b>   Operating Frequency	50 - 60 Hz
<b>Kullanım Sınıfı</b>   Usage Class	AC15
<b>Isınma Akımı</b>   Heat Current	10 A
<b>Standart</b>   Standards	EN 60947-5-1, IEC 60947-1, EN60529, EN60695-2-11

## RADANSA | CABLE JOINT ASSEMBLY

EN13411-7



ÜRÜN KODU PRODUCT CODE	ÜRÜN ADI PRODUCT DESCRIPTION
9960	RADANSA Ø5-6,5 mm (EN 13411-7) CABLE JOINT ASSEMBLY Ø5-6,5 mm (EN 13411-7)
9961	RADANSA Ø6-8 mm (EN 13411-7) CABLE JOINT ASSEMBLY Ø6-8 mm (EN 13411-7)