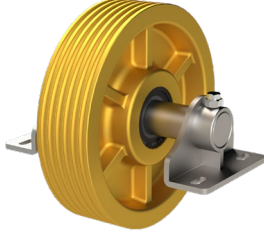


ASPAMİD® PLASTİK KASNAKLARI

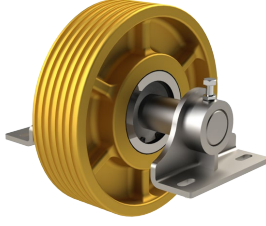
ASPAMİD® PLASTIC SHEAVES (PULLEYS)

KP SERİSİ
KP SERIES



ASPAMİD® SERİSİ | ASPAMİD® SERIES
Ø120mm - Ø560 mm Arası | Between

AP SERİSİ
AP SERIES

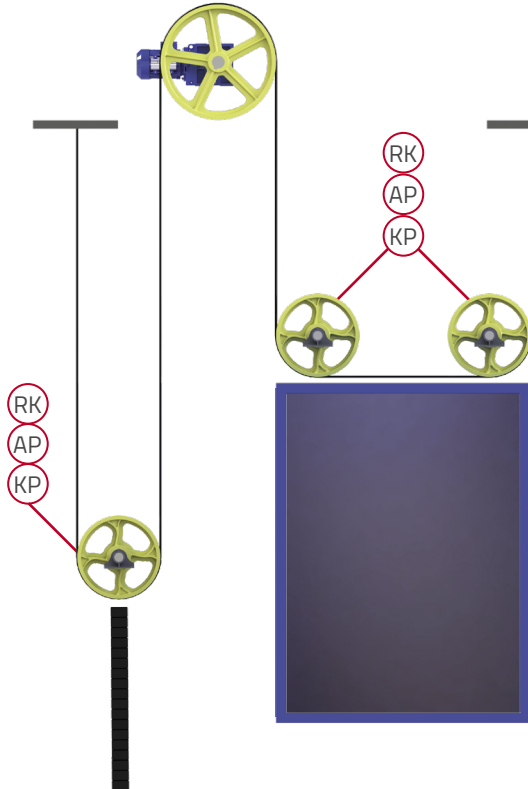
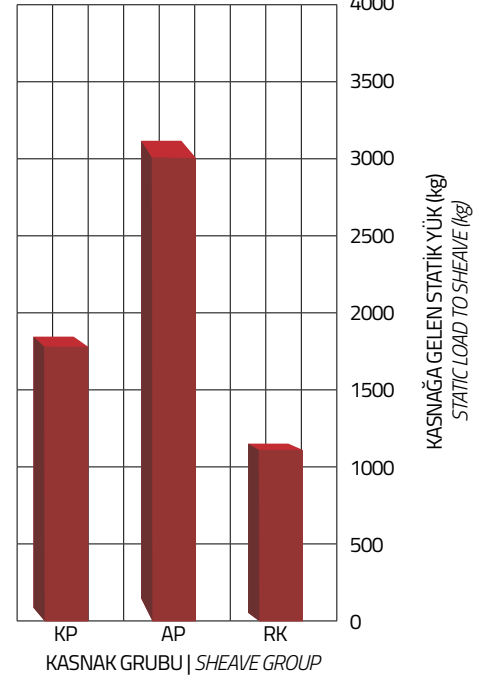


ASPAMİD® PLUS SERİSİ | ASPAMİD PLUS SERIES
Ø210mm - Ø400 mm Arası | Between

RK SERİSİ
RK SERIES

ASPAMİD® HOMELIFT SERİSİ |
ASPAMİD® HOMELIFT SERIES
Ø210mm - Ø400 mm Arası | Between

ASKI TİPİ | ROPING TYPE
1/2 - 1/4



- Malzemesi Polyamid PA 6 G'dir.
The material is Polyamid PA 6 G.

- Kasnağa gelen yük, aşağıdaki formülden kolayca hesaplanabilir.
($F=2 \times F_1 \times \sin(A/2)$) F1-halat yükü (kg), A-sarma açısı
The load on the pulley can be easily calculated from the following formula.
($F=2 \times F_1 \times \sin(A/2)$) F1-rope load (kg), A-winding angle

Mil hesaplamaları, asansörün tasarım ofisi tarafından yapılmalıdır, bu hesaplamalarda milin boyu mümkün olduğunca kısa olmasına dikkat edilmelidir.

- Axle calculations should be made by the design office of the elevator, in these calculations, the length of the axle should be as short as possible.

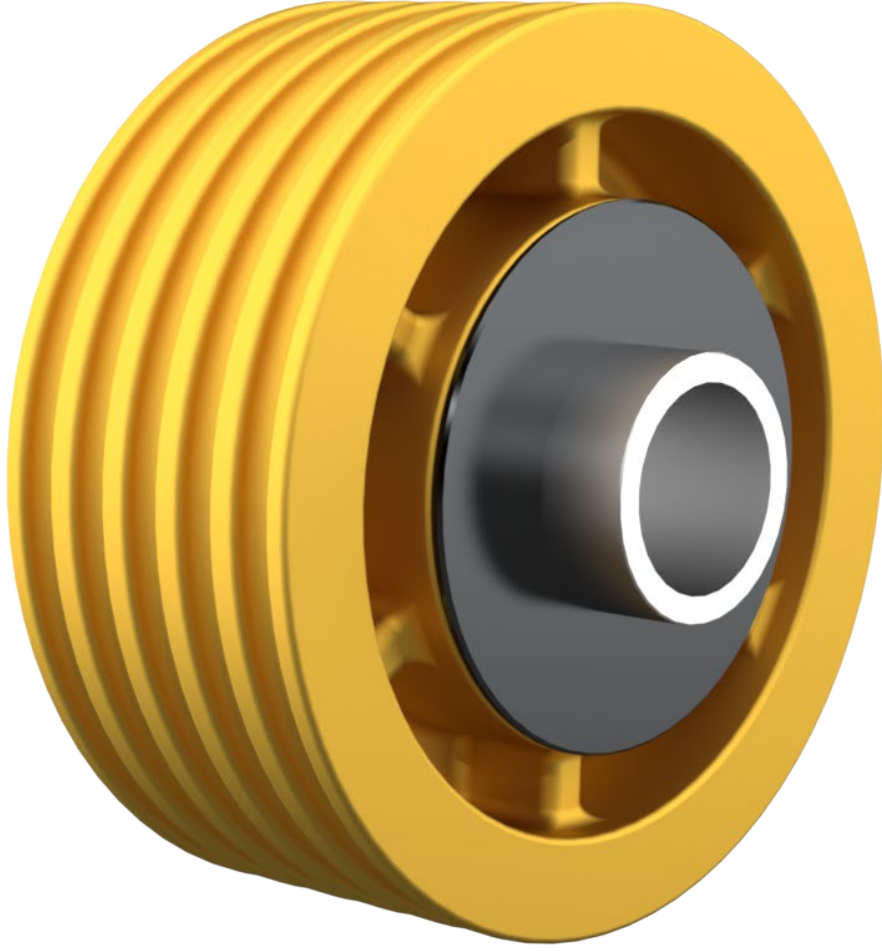
Hazır mil ölçülerimizi katalogumuzda bulabilirsiniz. Sabit ve kayar tip millerimiz mevcuttur. You can find our ready axle dimensions in our catalogue. We have fixed and sliding type axles.

- Rulmanlarımız yaklaşık 10.000 saat çalışma ömrüne göre hesap edilmiştir. Daha fazla çalışma saati istenirse, bu ayrıca belirtilmelidir.
Our bearings are calculated according to the working life of approximately 10,000 hours. If further working hours are requested, this must be specified separately.

- Montaj esnasında halatların sarım yönlerine (sağ sarım - sol sarım) eşit sayıda olması kasnakların ömrü ve halat sesinin azaltılması açısından önemlidir.
During the assembly, the ropes should be equal to the winding directions (right winding - left winding) and this is important for the life of the pulleys and the reduction of the rope noise.

Kasnaklarımızda balans mevcuttur. 1.6 m/s ve üstü kabin hızlarında balans yapılması önemlidir.

Balance is available in our pulleys. Balancing at car speeds of 1.6 m / s and above is important.



RK SERİSİ
RK SERIES

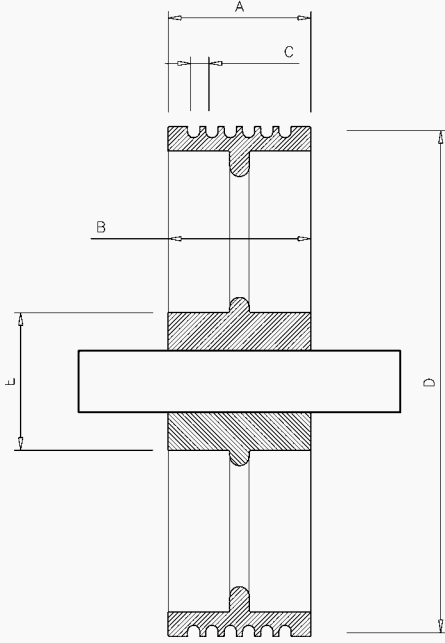
ASPAMİD® HOMELIFT PLASTİK KASNAKLARI
ASPAMID® HOMELIFT PLASTIC SHEAVES (PULLEYS)

RK SERİSİ - ASPAMİD® HOMELIFT PLASTİK KASNAKLARI

RK SERIES - ASPAMID® HOMELIFT PLASTIC SHEAVES (PULLEYS)

1:1 - 1:2 ASKI
1:1 - 1:2 ROPING

SABİT MİL
FIXED AXLE



Ø210 mm

MİL BOYU | AXLE LENGTH

300 mm

KASNAK ÇAPI NOMINAL DIAMETER	KANAL SAYISI NUMBER OF GROOVES	HALAT ÇAPI ROPE DIAMETER	HALAT MERKEZİ DISTANCE BETWEEN ROPES	GENİŞLİK CROWN WIDTH	GÖBEK GENİŞLİK HUB WIDTH	GÖBEK DIŞI ÇAP HUB OUTSIDE DIAMETER	RULMAN BALL BEARING	MİL ÇAPI AXLE DIAMETER	STATİK YÜK STATIC LOAD	ÜRÜN KODU PRODUCT CODE	AĞIRLIK WEIGHT (INCLUDE PILLOW BLOCKS)
D		C	A	B	E				KG		KG
Ø mm		Ø mm	mm	mm	mm	Ø mm		Ø mm			
210	4	6,5	11	70	70	160	RULMANSIZ WITHOUT BALL BEARING	50	850	RK214-6,5	20
210	5	6,5	11	70	70	160	RUMANSIZ WITHOUT BALL BEARING	50	1050	RK215-6,5	20
210	4	8	13	70	70	160	RULMANSIZ WITHOUT BALL BEARING	50	850	RK214-8	20
210	5	8	13	90	90	160	RULMANSIZ WITHOUT BALL BEARING	50	1050	RK215-8	20

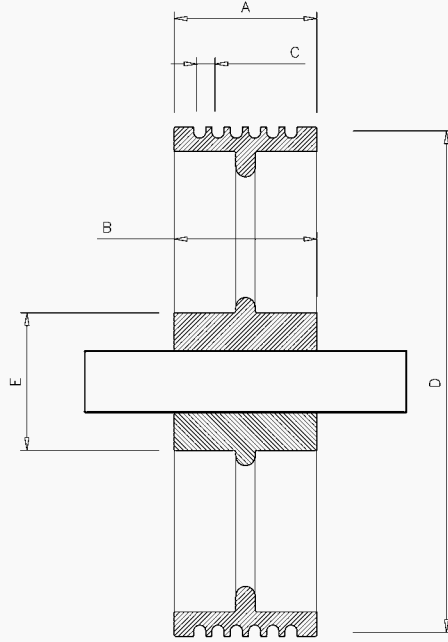
RK SERİSİ - ASPAMİD® HOMELIFT PLASTİK KASNAKLARI

RK SERIES - ASPAMID® HOMELIFT PLASTIC SHEAVES (PULLEYS)

1:1 - 1:2 ASKI
1:1 - 1:2 ROPING

SABİT MİL
FIXED AXLE

RK SERİSİ
RK SERIES



Ø240 mm

MİL BOYU | AXLE LENGTH

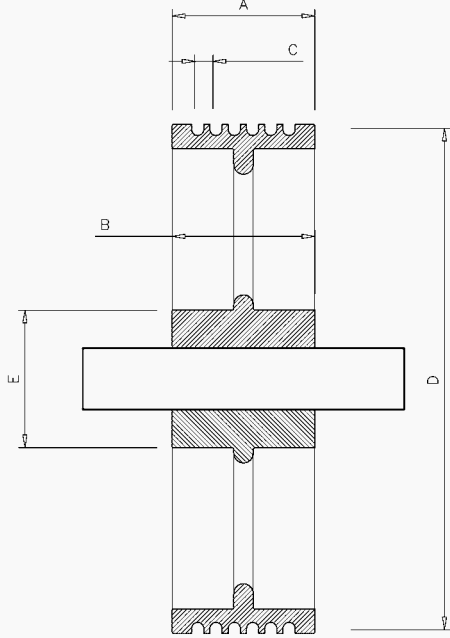
300 mm

KASNAK ÇAP NOMINAL DIAMETER	KANAL SAYISI NUMBER OF GROOVES	HALAT ÇAP ROPE DIAMETER	HALAT MERKEZİ DISTANCE BETWEEN ROPES	GENİŞLİK CROWN WIDTH	GÖBEK GENİŞLİK HUB WIDTH	GÖBEK DIŞ ÇAP HUB OUTSIDE DIAMETER	RULMAN BALL BEARING	MİL ÇAP AXLE DIAMETER	STATİK YÜK STATIC LOAD	ÜRÜN KODU PRODUCT CODE	AĞIRLIK WEIGHT (INCLUDE PILLOW BLOCKS)
D		C	A	B	E						
Ø mm		Ø mm	mm	mm	mm	Ø mm		Ø mm	KG		KG
240	4	6,5	11	70	70	130	RULMANSIZ WITHOUT BALL BEARING	50	840	RK244-6,5	21
240	5	6,5	11	70	70	130	RUMANSIZ WITHOUT BALL BEARING	50	1050	RK245-6,5	21
240	4	8	13	70	70	130	RULMANSIZ WITHOUT BALL BEARING	50	1300	RK244-8	21
240	5	8	13	90	90	130	RULMANSIZ WITHOUT BALL BEARING	50	1300	RK245-8	21

RK SERİSİ - ASPAMİD® HOMELIFT PLASTİK KASNAKLARI
RK SERIES - ASPAMİD® HOMELIFT PLASTIC SHEAVES (PULLEYS)

1:1 - 1:2 ASKI
1:1 - 1:2 ROPING

SABİT MİL
FIXED AXLE



Ø320 mm

MİL BOYU | AXLE LENGHT

300 mm

KASNAK ÇAPI NOMINAL DIAMETER	KANAL SAYISI NUMBER OF GROOVES	HALAT ÇAPI ROPE DIAMETER	HALAT MERKEZİ DISTANCE BETWEEN ROPES	GENİŞLİK CROWN WIDTH	GÖBEK GENİŞLİK HUB WIDTH	GÖBEK DIŞ ÇAP HUB OUTSIDE DIAMETER	RULMAN BALL BEARING	MİL ÇAPI AXLE DIAMETER	STATİK YÜK STATIC LOAD	ÜRÜN KODU PRODUCT CODE	AĞIRLIK WEIGHT (INCLUDE PILLOW BLOCKS)
D Ø mm		Ø mm	C mm	A mm	B mm	E Ø mm		Ø mm	KG		KG
320	4	6,5	11	70	70	138	RULMANSIZ WITHOUT BALL BEARING	50	840	RK324-6,5	22
320	5	6,5	11	70	70	138	RULMANSIZ WITHOUT BALL BEARING	50	1050	RK325-6,5	22
320	4	8	13	70	70	138	RULMANSIZ WITHOUT BALL BEARING	50	1300	RK324-8	22
320	5	8	13	70	70	138	RULMANSIZ WITHOUT BALL BEARING	50	1300	RK325-8	22

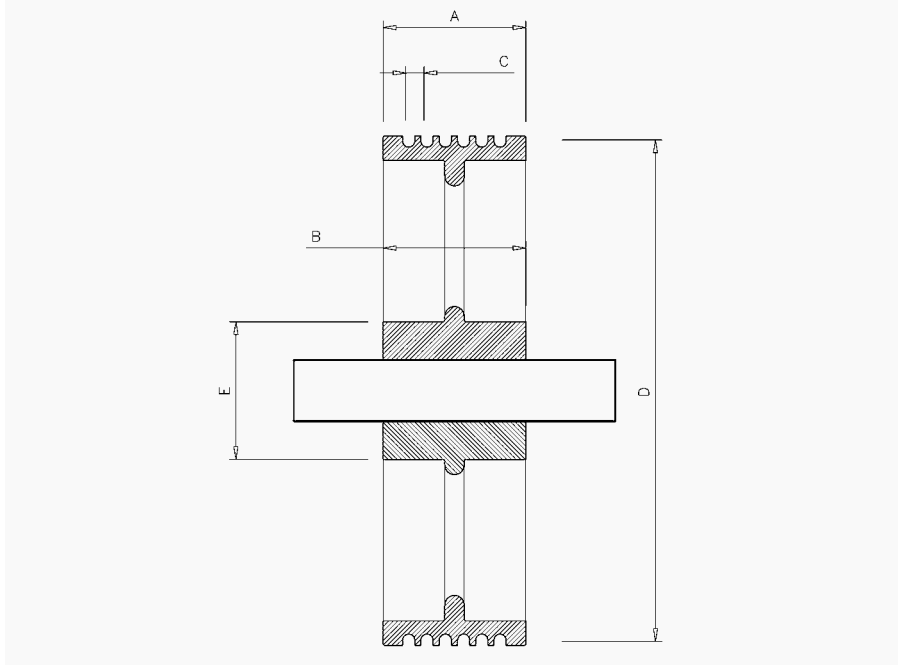
RK SERİSİ - ASPAMİD® HOMELIFT PLASTİK KASNAKLARI

RK SERIES - ASPAMİD® HOMELIFT PLASTIC SHEAVES (PULLEYS)

1:1 - 1:2 ASKI
1:1 - 1:2 ROPING

SABİT MİL
FIXED AXLE

RK SERİSİ
RK SERIES



Ø360 mm

MİL BOYU | AXLE LENGTH 300 mm

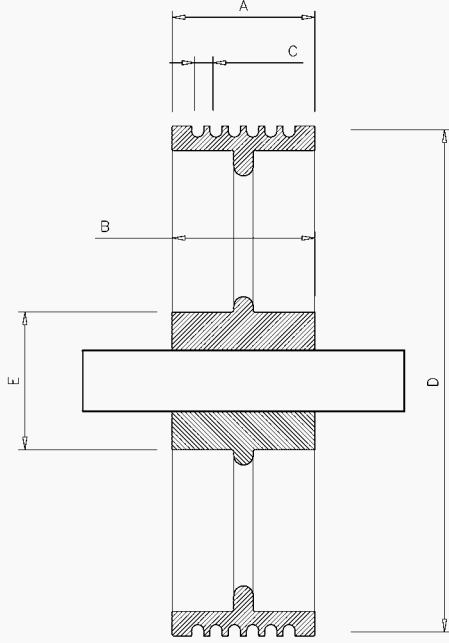
KASNAK ÇAPI NOMINAL DIAMETER	KANAL SAYISI NUMBER OF GROOVES	HALAT ÇAPI ROPE DIAMETER	HALAT MERKEZİ DISTANCE BETWEEN ROPES	GENİŞLİK CROWN WIDTH	GÖBEK GENİŞLİK HUB WIDTH	GÖBEK DIŞ ÇAP HUB OUTSIDE DIAMETER	RULMAN BALL BEARING	MİL ÇAPI AXLE DIAMETER	STATİK YÜK STATIC LOAD	ÜRÜN KODU PRODUCT CODE	AĞIRLIK WEIGHT (INCLUDE PILLOW BLOCKS)
D Ø mm		Ø mm	C mm	A mm	B mm	E Ø mm		Ø mm	KG		KG
360	4	6,5	11	70	70	150	RULMANSIZ WITHOUT BALL BEARING	50	840	RK364-6,5	26
360	5	6,5	11	70	70	150	RUMANSIZ WITHOUT BALL BEARING	50	1050	RK365-6,5	26
360	4	8	13	70	70	150	RULMANSIZ WITHOUT BALL BEARING	50	1300	RK364-8	26

RK SERİSİ - ASPAMİD® HOMELIFT PLASTİK KASNAKLARI

RK SERIES - ASPAMID® HOMELIFT PLASTIC SHEAVES (PULLEYS)

1:1 - 1:2 ASKI
1:1 - 1:2 ROPING

SABİT MİL
FIXED AXLE



Ø400 mm

MİL BOYU | AXLE LENGTH

300 mm

KASNAK ÇAP NOMİNAL DIAMETER	KANAL SAYISI NUMBER OF GROOVES	HALAT ÇAP ROPE DIAMETER	HALAT MERKEZİ DISTANCE BETWEEN ROPES	GENİŞLİK CROWN WIDTH	GÖBEK GENİŞLİK HUB WIDTH	GÖBEK DIŞ ÇAP HUB OUTSIDE DIAMETER	RULMAN BALL BEARING	MİL ÇAP AXLE DIAMETER	STATİK YÜK STATIC LOAD	ÜRÜN KODU PRODUCT CODE	AĞIRLIK WEIGHT (INCLUDE PILLOW BLOCKS)
D			C	A	B	E					
Ø mm		Ø mm	mm	mm	mm	Ø mm		Ø mm	KG		KG
400	4	6,5	11	80	80	155	RULMANSIZ WITHOUT BALL BEARING	50	840	RK404-6,5	29
400	5	6,5	11	80	80	155	RUMANSIZ WITHOUT BALL BEARING	50	1050	RK405-6,5	29
400	4	8	13	80	80	155	RULMANSIZ WITHOUT BALL BEARING	50	1300	RK404-8	29
400	5	8	13	90	90	155	RULMANSIZ WITHOUT BALL BEARING	50	1300	RK405-8	29