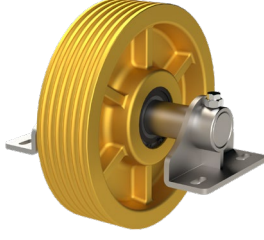


ASPAMİD® PLASTİK KASNAKLARI

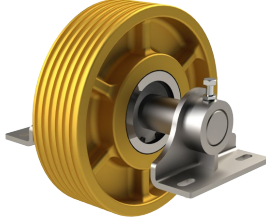
ASPAMİD® PLASTIC SHEAVES (PULLEYS)

KP SERİSİ
KP SERIES



ASPAMİD® SERİSİ | ASPAMİD® SERIES
Ø120mm - Ø560 mm Arası | Between

AP SERİSİ
AP SERIES

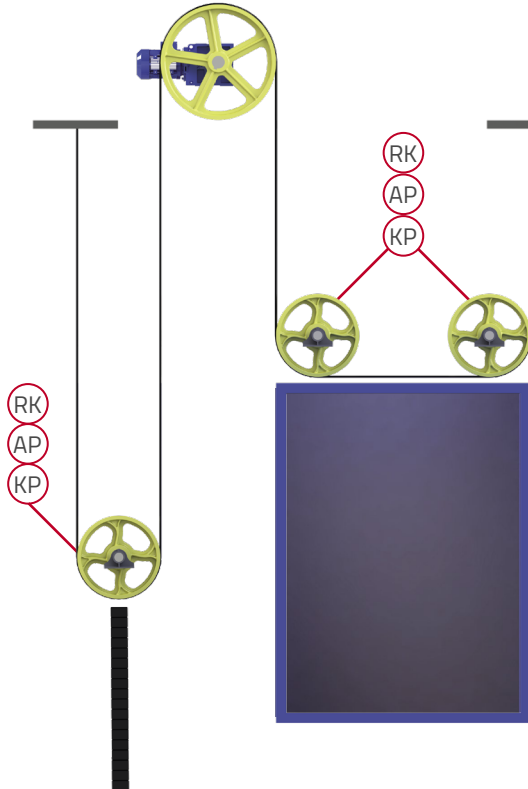
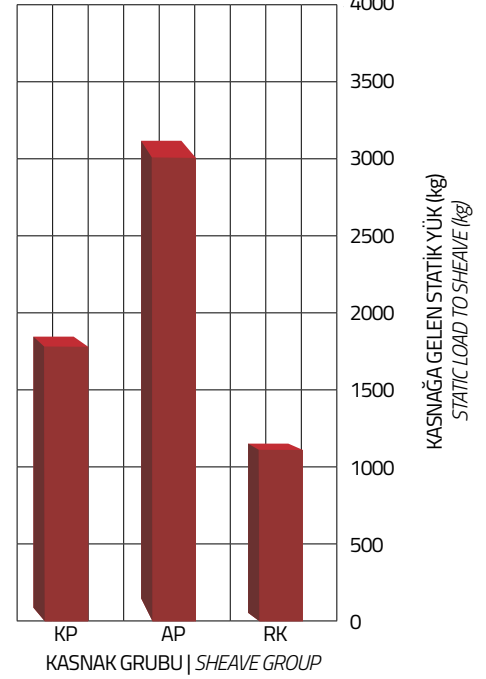


ASPAMİD® PLUS SERİSİ | ASPAMİD PLUS SERIES
Ø210mm - Ø400 mm Arası | Between

RK SERİSİ
RK SERIES

ASPAMİD® HOMELIFT SERİSİ |
ASPAMİD® HOMELIFT SERIES
Ø210mm - Ø400 mm Arası | Between

ASKI TİPİ | ROPING TYPE
1/2 - 1/4



- Malzemesi Polyamid PA 6 G'dir.
The material is Polyamid PA 6 G.

- Kasnağa gelen yük, aşağıdaki formülden kolayca hesaplanabilir.
($F=2 \times F_1 \times \sin(A/2)$) F1-halat yükü (kg), A-sarma açısı
The load on the pulley can be easily calculated from the following formula.
($F=2 \times F_1 \times \sin(A/2)$) F1-rope load (kg), A-winding angle

Mil hesaplamaları, asansörün tasarım ofisi tarafından yapılmalıdır, bu hesaplamalarda milin boyu mümkün olduğunca kısa olmasına dikkat edilmelidir.

- Axle calculations should be made by the design office of the elevator, in these calculations, the length of the axle should be as short as possible.

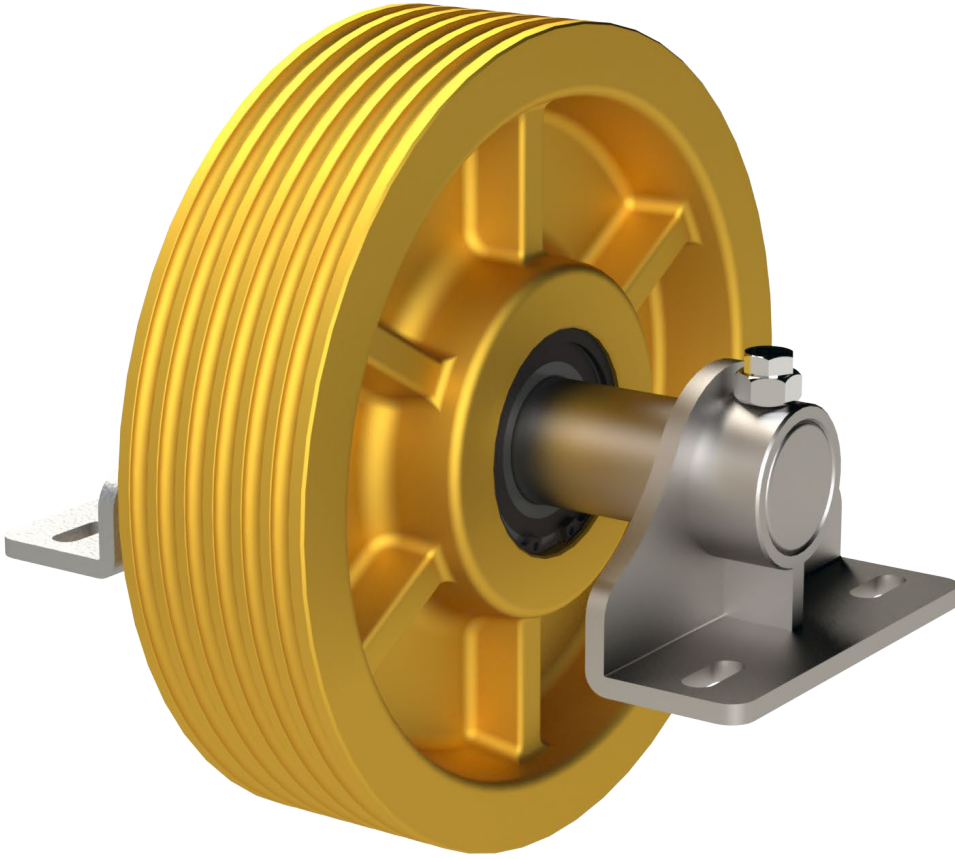
Hazır mil ölçülerimizi katalogumuzda bulabilirsiniz. Sabit ve kayar tip millerimiz mevcuttur. You can find our ready axle dimensions in our catalogue. We have fixed and sliding type axles.

- Rulmanlarımız yaklaşık 10.000 saat çalışma ömrüne göre hesap edilmiştir. Daha fazla çalışma saati istenirse, bu ayrıca belirtilmelidir.
Our bearings are calculated according to the working life of approximately 10,000 hours. If further working hours are requested, this must be specified separately.

- Montaj esnasında halatların sarım yönlerine (sağ sarım - sol sarım) eşit sayıda olması kasnakların ömrü ve halat sesinin azaltılması açısından önemlidir.
During the assembly, the ropes should be equal to the winding directions (right winding - left winding) and this is important for the life of the pulleys and the reduction of the rope noise.

Kasnaklarımızda balans mevcuttur. 1.6 m/s ve üstü kabin hızlarında balans yapılması önemlidir.

Balance is available in our pulleys. Balancing at car speeds of 1.6 m / s and above is important.



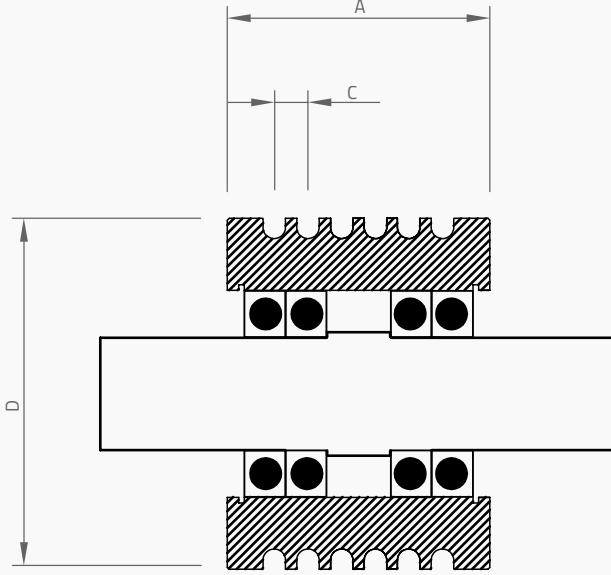
KP SERİSİ
KP SERIES

ASPAMİD® PLASTİK KASNAKLARI
ASPAMİD® PLASTIC SHEAVES (PULLEYS)

KP SERİSİ - ASPAMİD® PLASTİK KASNAKLARI
KP SERIES - ASPAMID® PLASTIC SHEAVES (PULLEYS)

1:1 - 1:2 - 1:4 ASKI
1:1 - 1:2 - 1:4 ROPING

SABİT MİL
FIXED AXLE



Ø120 mm

MİL BOYU | AXLE LENGTH

300 mm

KASNAK ÇAPI NOMINAL DIAMETER (Ø mm)	KANAL SAYISI NUMBER OF GROOVES	HALAT ÇAPI ROPE DIAMETER (Ø mm)	HALAT MERKEZİ DISTANCE BETWEEN ROPES (mm)	GENİŞLİK CROWN WIDTH (mm)	RULMAN BALL BEARING	MİL ÇAPI AXLE DIAMETER (Ø mm)	STATİK YÜK STATIC LOAD (kg)	ÜRÜN KODU PRODUCT CODE	AĞIRLIK WEIGHT (INCLUDE PILLOW BLOCKS) (kg)
D			C	A					
120	4	6,5	11	110	4x6210 ZZ	50	850	KP124-6,5	14
120	5	6,5	11	110	4x6210 ZZ	50	1050	KP125-6,5	14
120	6	6,5	11	110	4x6210 ZZ	50	1260	KP126-6,5	14
120	7	6,5	11	110	4x6210 ZZ	50	1470	KP127-6,5	14
120	8	6,5	11	110	4x6210 ZZ	50	1680	KP128-6,5	14
120	9	6,5	11	140	4x6210 ZZ	50	1680	KP129-6,5	15
120	10	6,5	11	140	4x6210 ZZ	50	1680	KP1210-6,5	15
120	11	6,5	11	140	4x6210 ZZ	50	1680	KP1211-6,5	15

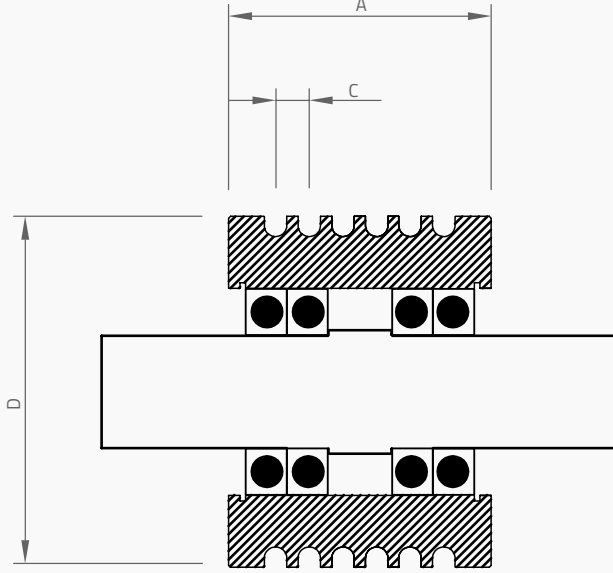
KP SERİSİ - ASPAMİD® PLASTİK KASNAKLARI

KP SERIES - ASPAMID® PLASTIC SHEAVES (PULLEYS)

1:1 - 1:2 - 1:4 ASKI
1:1 - 1:2 - 1:4 ROPING

SABİT MİL
FIXED AXLE

KP SERİSİ
KP SERIES



Ø140 mm

MİL BOYU | AXLE LENGTH

300 mm

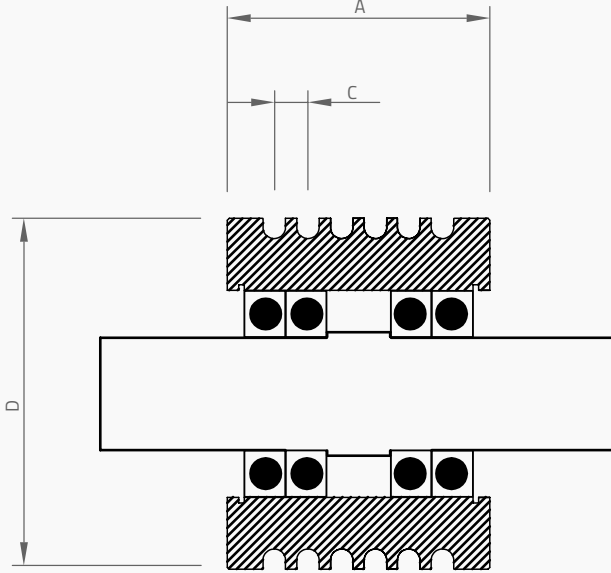
KASNAK ÇAPI NOMINAL DIAMETER (Ø mm)	KANAL SAYISI NUMBER OF GROOVES	HALAT ÇAPI ROPE DIAMETER (Ø mm)	HALAT MERKEZİ DISTANCE BETWEEN ROPES (mm)	GENİSLİK CROWN WIDTH (mm)	RULMAN BALL BEARING	MİL ÇAPI AXLE DIAMETER (Ø mm)	STATİK YÜK STATIC LOAD (kg)	ÜRÜN KODU PRODUCT CODE	AĞIRLIK WEIGHT (INCLUDE PILLOW BLOCKS) (kg)
D			C	A					
140	4	6,5	11	110	4x6210 ZZ	50	850	KP144-6,5	14
140	5	6,5	11	110	4x6210 ZZ	50	1050	KP145-6,5	14
140	6	6,5	11	110	4x6210 ZZ	50	1260	KP146-6,5	14
140	7	6,5	11	110	4x6210 ZZ	50	1470	KP147-6,5	14
140	8	6,5	11	110	4x6210 ZZ	50	1680	KP148-6,5	14
140	9	6,5	11	140	4x6210 ZZ	50	1680	KP149-6,5	15
140	10	6,5	11	140	4x6210 ZZ	50	1680	KP1410-6,5	15
140	11	6,5	11	140	4x6210 ZZ	50	1680	KP1411-6,5	15

KP SERİSİ - ASPAMİD® PLASTİK KASNAKLARI

KP SERIES - ASPAMID® PLASTIC SHEAVES (PULLEYS)

1:1 - 1:2 - 1:4 ASKI
1:1 - 1:2 - 1:4 ROPING

SABİT MİL
FIXED AXLE



Ø160 mm

MİL BOYU | AXLE LENGTH

300 mm

KASNAK ÇAPİ NOMINAL DIAMETER (Ø mm)	KANAL SAYISI NUMBER OF GROOVES	HALAT ÇAPİ ROPE DIAMETER (Ø mm)	HALAT MERKEZİ DISTANCE BETWEEN ROPES (mm)	GENİŞLİK CROWN WIDTH (mm)	RULMAN BALL BEARING	MİL ÇAPİ AXLE DIAMETER (Ø mm)	STATİK YÜK STATIC LOAD (kg)	ÜRÜN KODU PRODUCT CODE	AĞIRLIK WEIGHT (INCLUDE PILLOW BLOCKS) (kg)
D			C	A					
160	4	6,5	11	110	4x6210 ZZ	50	850	KP164-6,5	16
160	5	6,5	11	110	4x6210 ZZ	50	1050	KP165-6,5	16
160	6	6,5	11	110	4x6210 ZZ	50	1260	KP166-6,5	16
160	7	6,5	11	110	4x6210 ZZ	50	1470	KP167-6,5	16
160	8	6,5	11	110	4x6210 ZZ	50	1680	KP168-6,5	16
160	9	6,5	11	140	4x6210 ZZ	50	1680	KP169-6,5	16
160	10	6,5	11	140	4x6210 ZZ	50	1680	KP1610-6,5	16
160	11	6,5	11	140	4x6210 ZZ	50	1680	KP1611-6,5	16

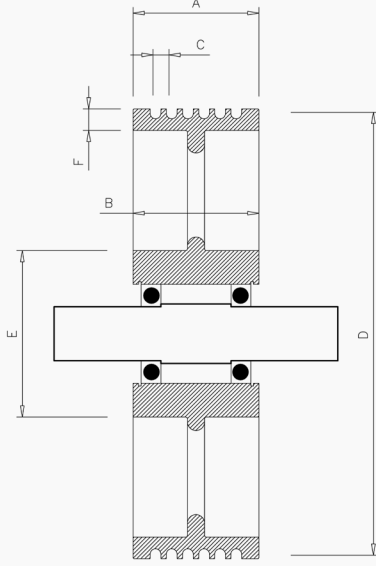
KP SERİSİ - ASPAMİD® PLASTİK KASNAKLARI

KP SERIES - ASPAMID® PLASTIC SHEAVES (PULLEYS)

1:1 - 1:2 - 1:4 ASKI
1:1 - 1:2 - 1:4 ROPING

SABİT MİL
FIXED AXLE

KP SERİSİ
KP SERIES



Ø210 mm

MİL BOYU | AXLE LENGTH

300 mm

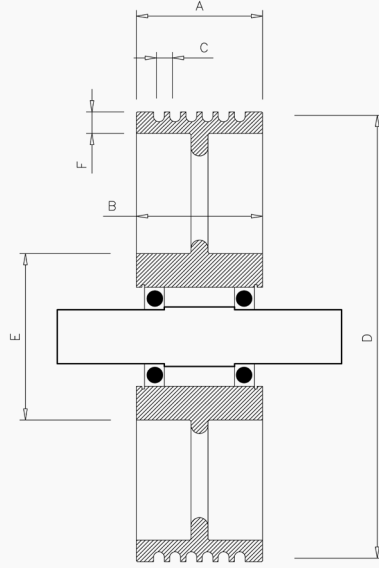
KASNAK ÇAP NOMINAL DIAMETER	KANAL SAYISI NUMBER OF GROOVES	HALAT ÇAP ROPE DIAMETER	HALAT MERKEZİ DISTANCE BETWEEN ROPES	GENİŞLİK CROWN WIDTH	GÖBEK GENİŞLİK HUB WIDTH	GÖBEK DIŞI ÇAP HUB OUTSIDE DIAMETER	RULMAN BALL BEARING	MİL ÇAP AXLE DIAMETER	STATİK YÜK STATIC LOAD	ÜRÜN KODU PRODUCT CODE	AĞIRLIK WEIGHT (INCLUDE PILLOW BLOCKS)
D		C	A	B	E						
Ø mm		Ø mm	mm	mm	mm	Ø mm		Ø mm	KG		KG
210	4	6,5	11	106	106	130	2x6210 ZZ	50	850	KP214-6,5	20
210	5	6,5	11	106	106	130	2x6210 ZZ	50	1050	KP215-6,5	20
210	6	6,5	11	106	106	130	2x6210 ZZ	50	1260	KP216-6,5	20
210	7	6,5	11	106	106	130	2x6210 ZZ	50	1470	KP217-6,5	20
210	8	6,5	11	106	106	130	2x6210 ZZ	50	1680	KP218-6,5	20
210	9	6,5	11	126	126	130	2x6210 ZZ	50	1680	KP219-6,5	21
210	10	6,5	11	126	126	130	2x6210 ZZ	50	1680	KP2110-6,5	21
210	11	6,5	11	156	156	130	2x6210 ZZ	50	1680	KP2111-6,5	22
210	12	6,5	11	156	156	130	2x6210 ZZ	50	1680	KP2112-6,5	22
210	4	8	13	106	106	130	2x6210 ZZ	50	850	KP214-8	20
210	5	8	13	106	106	130	2x6210 ZZ	50	1050	KP215-8	20
210	6	8	13	106	106	130	2x6210 ZZ	50	1260	KP216-8	20
210	7	8	13	106	106	130	2x6210 ZZ	50	1470	KP217-8	20
210	8	8	13	126	126	130	2x6210 ZZ	50	1680	KP218-8	21
210	9	8	13	156	156	130	2x6210 ZZ	50	1680	KP219-8	22
210	10	8	13	156	156	130	2x6210 ZZ	50	1680	KP2110-8	22
210	4	10	17	106	106	130	2x6210 ZZ	50	850	KP214-10	20
210	5	10	17	106	106	130	2x6210 ZZ	50	1050	KP215-10	20
210	6	10	17	126	126	130	2x6210 ZZ	50	1260	KP216-10	21
210	7	10	17	156	156	130	2x6210 ZZ	50	1470	KP217-10	22
210	8	10	17	156	156	130	2x6210 ZZ	50	1680	KP218-10	22

KP SERİSİ - ASPAMİD® PLASTİK KASNAKLARI

KP SERIES - ASPAMID® PLASTIC SHEAVES (PULLEYS)

1:1 - 1:2 - 1:4 ASKI
1:1 - 1:2 - 1:4 ROPING

SABİT MİL
FIXED AXLE



Ø240 mm

MİL BOYU | AXLE LENGTH

300 mm

Kasnak Çapı NOMINAL DIAMETER	KANAL SAYISI NUMBER OF GROOVES	HALAT ÇAPINI ROPE DIAMETER	HALAT MERKEZİ DISTANCE BETWEEN ROPES	GENİŞLİK CROWN WIDTH	GÖBEK GENİŞLİK HUB WIDTH	GÖBEK DIŞ ÇAP HUB OUTSIDE DIAMETER	RULMAN BALL BEARING	MİL ÇAPINI AXLE DIAMETER	STATİK YÜK STATIC LOAD	ÜRÜN KODU PRODUCT CODE	AĞIRLIK (YAN YATAKLAR DAHİL) WEIGHT (INCLUDE PILLOW BLOCKS)
D Ø mm		Ø mm	C mm	A mm	B mm	E Ø mm		Ø mm	KG		KG
240	4	6,5	11	70	70	130	2x6210 ZZ	50	840	KP244-6,5	21
240	5	6,5	11	70	70	130	2x6210 ZZ	50	1050	KP245-6,5	21
240	6	6,5	11	70	70	130	2x6210 ZZ	50	1260	KP246-6,5	22
240	7	6,5	11	90	90	130	2x6210 ZZ	50	1300	KP247-6,5	22
240	4	8	13	70	70	130	2x6210 ZZ	50	1300	KP244-8	21
240	5	8	13	90	90	130	2x6210 ZZ	50	1300	KP245-8	21
240	6	8	13	100	100	130	2x6210 ZZ	50	1300	KP246-8	22
240	7	8	13	100	100	130	2x6210 ZZ	50	1300	KP247-8	22
240	4	10	17	80	80	130	2x6210 ZZ	50	1300	KP244-10	22
240	5	10	17	100	100	130	2x6210 ZZ	50	1300	KP245-10	22

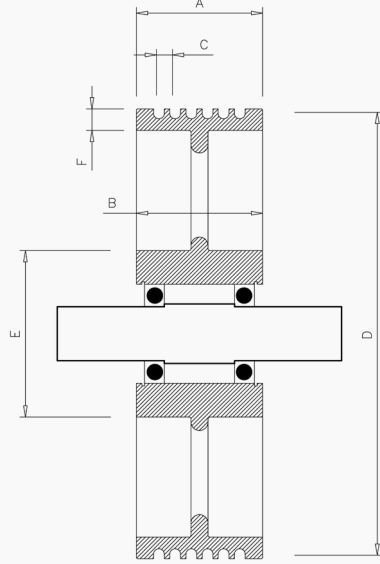
KP SERİSİ - ASPAMİD® PLASTİK KASNAKLARI

KP SERIES - ASPAMİD® PLASTIC SHEAVES (PULLEYS)

1:1 - 1:2 - 1:4 ASKI
1:1 - 1:2 - 1:4 ROPING

SABİT MİL
FIXED AXLE

KP SERİSİ
KP SERIES



Ø320 mm

MİL BOYU | AXLE LENGTH

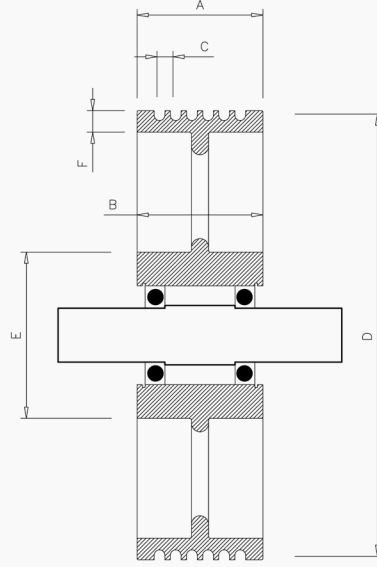
300 mm

Kasnak Çapı NOMINAL DIAMETER	KANAL SAYISI NUMBER OF GROOVES	HALAT ÇAPI ROPE DIAMETER	HALAT MERKEZİ DISTANCE BETWEEN ROPES	GENİŞLİK CROWN WIDTH	GÖBEK GENİŞLİK HUB WIDTH	GÖBEK DIŞ ÇAP HUB OUTSIDE DIAMETER	RULMAN BALL BEARING	MİL ÇAPI AXLE DIAMETER	STATİK YÜK STATIC LOAD	ÜRÜN KODU PRODUCT CODE	AĞIRLIK (YAN YATAKLAR DAHİL) WEIGHT (INCLUDE PILLOW BLOCKS)
D Ø mm		Ø mm	C mm	A mm	B mm	E Ø mm		Ø mm	KG		KG
320	4	6,5	11	70	70	138	2x6210 ZZ	50	840	KP324-6,5	22
320	5	6,5	11	70	70	138	2x6210 ZZ	50	1050	KP325-6,5	22
320	6	6,5	11	90	90	138	2x6210 ZZ	50	1260	KP326-6,5	22
320	7	6,5	11	100	100	138	2x6210 ZZ	50	1300	KP327-6,5	22
320	8	6,5	11	104	104	138	2x6210 ZZ	50	1300	KP328-6,5	23
320	9	6,5	11	110	110	138	2x6210 ZZ	50	1300	KP329-6,5	23
320	10	6,5	11	124	124	138	2x6210 ZZ	50	1300	KP3210-6,5	23
320	11	6,5	11	140	140	138	2x6210 ZZ	50	1300	KP3211-6,5	25
320	4	8	13	70	70	138	2x6210 ZZ	50	1300	KP324-8	22
320	5	8	13	70	70	138	2x6210 ZZ	50	1300	KP325-8	22
320	6	8	13	100	100	138	2x6210 ZZ	50	1300	KP326-8	22
320	7	8	13	110	110	138	2x6210 ZZ	50	1300	KP327-8	22
320	8	8	13	115	115	138	2x6210 ZZ	50	1300	KP328-8	23
320	9	8	13	132	132	138	2x6210 ZZ	50	1300	KP329-8	25
320	4	10	17	80	80	138	2x6210 ZZ	50	1300	KP324-10	22
320	5	10	17	100	100	138	2x6210 ZZ	50	1300	KP325-10	22
320	6	10	17	124	124	138	2x6210 ZZ	50	1300	KP326-10	23
320	7	10	17	132	132	138	2x6210 ZZ	50	1300	KP327-10	25

KP SERİSİ - ASPAMİD® PLASTİK KASNAKLARI
KP SERIES - ASPAMİD® PLASTIC SHEAVES (PULLEYS)

1:1 - 1:2 - 1:4 ASKI
1:1 - 1:2 - 1:4 ROPING

SABİT MİL
FIXED AXLE



Ø360 mm

MİL BOYU | AXLE LENGTH 300 mm

Kasnak Çapı NOMINAL DIAMETER	KANAL SAYISI NUMBER OF GROOVES	HALAT ÇAPİ ROPE DIAMETER	HALAT MERKEZİ DISTANCE BETWEEN ROPES	GENİŞLİK CROWN WIDTH	GÖBEK GENİŞLİK HUB WIDTH	GÖBEK DIŞ ÇAP HUB OUTSIDE DIAMETER	RULMAN BALL BEARING	MİL ÇAPİ AXLE DIAMETER	STATİK YÜK STATIC LOAD	ÜRÜN KODU PRODUCT CODE	AĞIRLIK (YAN YATAKLAR DAHİL) WEIGHT (INCLUDE PILLOW BLOCKS)
D Ø mm		Ø mm	mm	A mm	B mm	E Ø mm		Ø mm	KG		KG
360	4	6,5	11	70	70	150	2x6210 ZZ	50	840	KP364-6,5	26
360	5	6,5	11	70	70	150	2x6210 ZZ	50	1050	KP365-6,5	26
360	4	8	13	70	70	150	2x6210 ZZ	50	1300	KP364-8	26

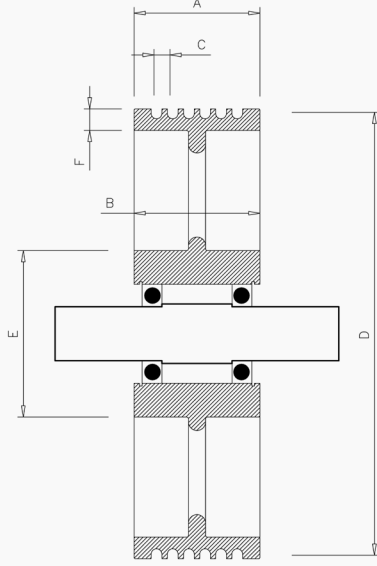
KP SERİSİ - ASPAMİD® PLASTİK KASNAKLARI

KP SERIES - ASPAMID® PLASTIC SHEAVES (PULLEYS)

1:1 - 1:2 - 1:4 ASKI
1:1 - 1:2 - 1:4 ROPING

SABİT MİL
FIXED AXLE

KP SERİSİ
KP SERIES



Ø400 mm

MİL BOYU | AXLE LENGTH

300 mm

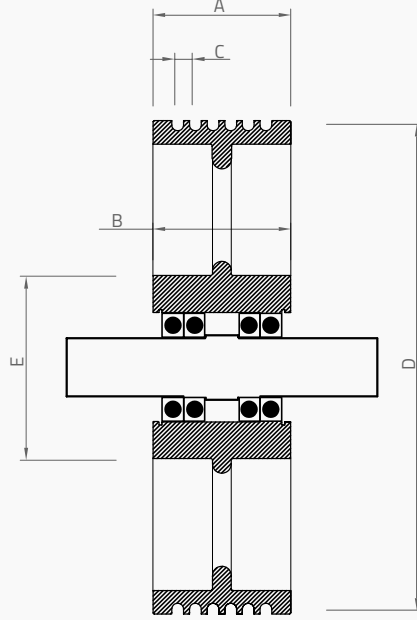
Kasnak Çapı NOMINAL DIAMETER	KANAL SAYISI NUMBER OF GROOVES	HALAT ÇAPI ROPE DIAMETER	HALAT MERKEZİ DISTANCE BETWEEN ROPES	GENİŞLİK CROWN WIDTH	GÖBEK GENİŞLİK HUB WIDTH	GÖBEK DIŞ ÇAP HUB OUTSIDE DIAMETER	RULMAN BALL BEARING	MİL ÇAPI AXLE DIAMETER	STATİK YÜK STATIC LOAD	ÜRÜN KODU PRODUCT CODE	AĞIRLIK (YAN YATAKLAR DAHİL) WEIGHT (INCLUDE PILLOW BLOCKS)
D Ø mm		Ø mm	C mm	A mm	B mm	E Ø mm		Ø mm	KG		KG
400	4	6,5	11	80	80	155	2x6210 ZZ	50	840	KP404-6,5	29
400	5	6,5	11	80	80	155	2x6210 ZZ	50	1050	KP405-6,5	29
400	6	6,5	11	80	80	155	2x6210 ZZ	50	1260	KP406-6,5	29
400	7	6,5	11	90	90	155	2x6210 ZZ	50	1300	KP407-6,5	29
400	4	8	13	80	80	155	2x6210 ZZ	50	1300	KP404-8	29
400	5	8	13	90	90	155	2x6210 ZZ	50	1300	KP405-8	29
400	6	8	13	100	100	155	2x6210 ZZ	50	1300	KP406-8	29
400	4	10	17	80	80	155	2x6210 ZZ	50	1300	KP404-10	29
400	5	10	17	100	100	155	2x6210 ZZ	50	1300	KP405-10	29

KP SERİSİ - ASPAMİD® PLASTİK KASNAKLARI

KP SERIES - ASPAMID® PLASTIC SHEAVES (PULLEYS)

1:1 - 1:2 - 1:4 ASKI
1:1 - 1:2 - 1:4 ROPING

SABİT MİL
FIXED AXLE



Ø450 mm

MİL BOYU | AXLE LENGTH

300 mm

KASNAK ÇAPI NOMINAL DIAMETER (Ø mm)	KANAL SAYISI NUMBER OF GROOVES	HALAT ÇAPI ROPE DIAMETER (Ø mm)	HALAT MERKEZİ DISTANCE BETWEEN ROPES (mm)	GENİŞLİK CROWN WIDTH (mm)	GÖBEK GENİŞLİK HUB WIDTH (mm)	GÖBEK DİŞ ÇAP HUB OUTSIDE DIAMETER (Ø mm)	RULMAN BALL BEARING	MİL ÇAPI AXLE DIAMETER (Ø mm)	STATİK YÜK STATIC LOAD (kg)	ÜRÜN KODU PRODUCT CODE	AĞIRLIK WEIGHT (INCLUDE PILLOW BLOCKS) (kg)
D			C	A	B	E					
450	4	6,5	11	110	110	160	4x6210 ZZ	50	850	KP454-6,5	29
450	5	6,5	11	110	110	160	4x6210 ZZ	50	1050	KP455-6,5	29
450	6	6,5	11	110	110	160	4x6210 ZZ	50	1260	KP456-6,5	29
450	7	6,5	11	110	110	160	4x6210 ZZ	50	1470	KP457-6,5	29
450	8	6,5	11	110	110	160	4x6210 ZZ	50	1680	KP458-6,5	29
450	4	8	13	110	110	160	4x6210 ZZ	50	1480	KP454-8	29
450	5	8	13	110	110	160	4x6210 ZZ	50	1850	KP455-8	29
450	6	8	13	110	110	160	4x6210 ZZ	50	1850	KP456-8	29
450	7	8	13	110	110	160	4x6210 ZZ	50	1850	KP457-8	29
450	4	10	17	110	110	160	4x6210 ZZ	50	1850	KP454-10	29
450	5	10	17	110	110	160	4x6210 ZZ	50	1850	KP455-10	29
450	4	12	19	110	110	160	4x6210 ZZ	50	1850	KP454-12	29
450	5	12	19	110	110	160	4x6210 ZZ	50	1850	KP455-12	29

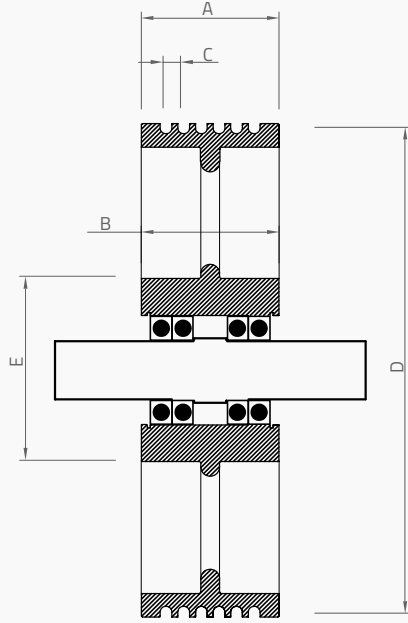
KP SERİSİ - ASPAMİD® PLASTİK KASNAKLARI

KP SERIES - ASPAMID® PLASTIC SHEAVES (PULLEYS)

1:1 - 1:2 - 1:4 ASKI
1:1 - 1:2 - 1:4 ROPING

SABİT MİL
FIXED AXLE

KP SERİSİ
KP SERIES



Ø480 mm

MİL BOYU | AXLE LENGTH

300 mm

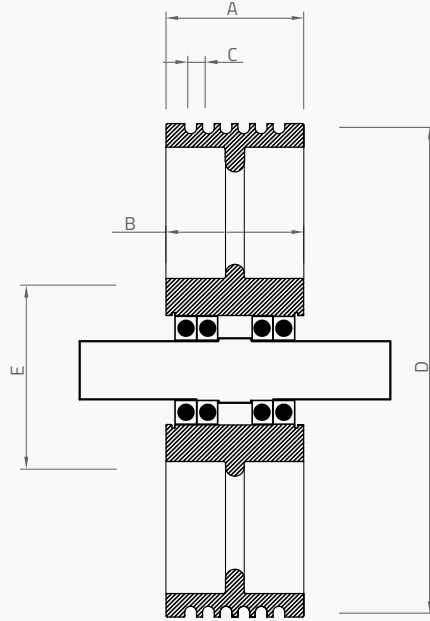
KASNAK ÇAP NOMINAL DIAMETER (Ø mm)	KANAL SAYISI NUMBER OF GROOVES	HALAT ÇAP ROPE DIAMETER (Ø mm)	HALAT MERKEZİ DISTANCE BETWEEN ROPES (mm)	GENİŞLİK CROWN WIDTH (mm)	GÖBEK GENİŞLİK HUB WIDTH (mm)	GÖBEK DİŞ ÇAP HUB OUTSIDE DIAMETER (Ø mm)	RULMAN BALL BEARING	MİL ÇAP AXLE DIAMETER (Ø mm)	STATİK YÜK STATIC LOAD (kg)	ÜRÜN KODU PRODUCT CODE	AĞIRLIK WEIGHT (INCLUDE PILLOW BLOCKS) (kg)
D			C	A	B	E					
480	4	6,5	11	115	115	160	4x6210 ZZ	50	850	KP484-6,5	29
480	5	6,5	11	115	115	160	4x6210 ZZ	50	1050	KP485-6,5	29
480	6	6,5	11	115	115	160	4x6210 ZZ	50	1260	KP486-6,5	29
480	7	6,5	11	115	115	160	4x6210 ZZ	50	1470	KP487-6,5	29
480	8	6,5	11	115	115	160	4x6210 ZZ	50	1680	KP488-6,5	29
480	4	8	13	115	115	160	4x6210 ZZ	50	1480	KP484-8	29
480	5	8	13	115	115	160	4x6210 ZZ	50	1850	KP485-8	29
480	6	8	13	115	115	160	4x6210 ZZ	50	1850	KP486-8	29
480	7	8	13	115	115	160	4x6210 ZZ	50	1850	KP487-8	29
480	4	10	17	115	115	160	4x6210 ZZ	50	1850	KP484-10	29
480	5	10	17	115	115	160	4x6210 ZZ	50	1850	KP485-10	29
480	4	12	19	115	115	160	4x6210 ZZ	50	1850	KP484-12	29
480	5	12	19	115	115	160	4x6210 ZZ	50	1850	KP485-12	29

KP SERİSİ - ASPAMİD® PLASTİK KASNAKLARI

KP SERIES - ASPAMID® PLASTIC SHEAVES (PULLEYS)

1:1 - 1:2 - 1:4 ASKI
1:1 - 1:2 - 1:4 ROPING

SABİT MİL
FIXED AXLE



Ø500 mm

MİL BOYU | AXLE LENGTH

300 mm

KASNAK ÇAPI NOMINAL DIAMETER (Ø mm)	KANAL SAYISI NUMBER OF GROOVES	HALAT ÇAPI ROPE DIAMETER (Ø mm)	HALAT MERKEZİ DISTANCE BETWEEN ROPES (mm)	GENİŞLİK CROWN WIDTH (mm)	GÖBEK GENİŞLİK HUB WIDTH (mm)	GÖBEK DIŞI ÇAP HUB OUTSIDE DIAMETER (Ø mm)	RULMAN BALL BEARING	MİL ÇAPI AXLE DIAMETER (Ø mm)	STATİK YÜK STATIC LOAD (kg)	ÜRÜN KODU PRODUCT CODE	AĞIRLIK WEIGHT (INCLUDE PILLOW/BLOCKS) (kg)
D			C	A	B	E					
500	4	8	13	118	118	160	4x6210 ZZ	50	1480	KP504-8	32
500	5	8	13	118	118	160	4x6210 ZZ	50	1850	KP505-8	32
500	6	8	13	118	118	160	4x6210 ZZ	50	1850	KP506-8	32
500	7	8	13	118	118	160	4x6210 ZZ	50	1850	KP507-8	32
500	4	10	17	118	118	160	4x6210 ZZ	50	1850	KP504-10	32
500	5	10	17	118	118	160	4x6210 ZZ	50	1850	KP505-10	32
500	4	12	19	118	118	160	4x6210 ZZ	50	1850	KP504-12	32
500	5	12	19	118	118	160	4x6210 ZZ	50	1850	KP505-12	32

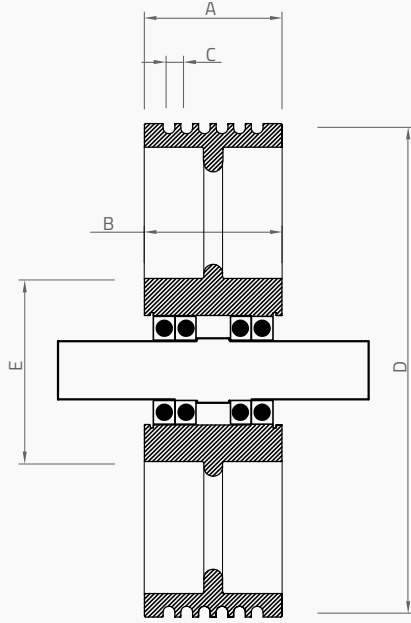
KP SERİSİ - ASPAMİD® PLASTİK KASNAKLARI

KP SERIES - ASPAMID® PLASTIC SHEAVES (PULLEYS)

1:1 - 1:2 - 1:4 ASKI
1:1 - 1:2 - 1:4 ROPING

SABİT MİL
FIXED AXLE

KP SERİSİ
KP SERIES



Ø520 mm

MİL BOYU | AXLE LENGTH

300 mm

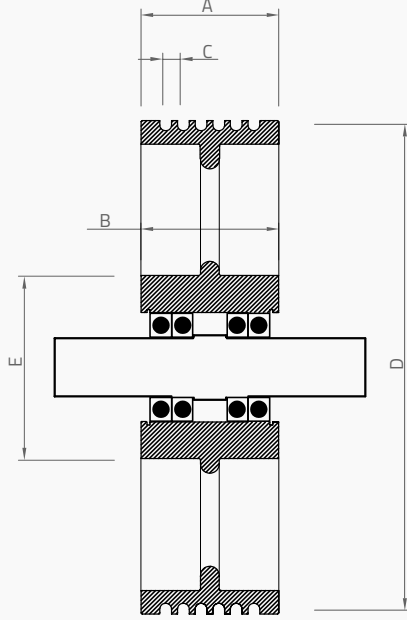
KASNAK ÇAPI NOMINAL DIAMETER (Ø mm)	KANAL SAYISI NUMBER OF GROOVES	HALAT ÇAPI ROPE DIAMETER (Ø mm)	HALAT MERKEZİ DISTANCE BETWEEN ROPES (mm)	GENİŞLİK CROWN WIDTH (mm)	GÖBEK GENİŞLİK HUB WIDTH (mm)	GÖBEK DİŞ ÇAP HUB OUTSIDE DIAMETER (Ø mm)	RULMAN BALL BEARING	MİL ÇAPI AXLE DIAMETER (Ø mm)	STATİK YÜK STATIC LOAD (kg)	ÜRÜN KODU PRODUCT CODE	AĞIRLIK WEIGHT (INCLUDE PILLOW BLOCKS) (kg)
D			C	A	B	E					
520	4	8	13	110	110	160	4x6211 ZZ	55	1480	KP524-8	30
520	5	8	13	110	110	160	4x6211 ZZ	55	1900	KP525-8	30
520	6	8	13	110	110	160	4x6211 ZZ	55	1900	KP526-8	30
520	7	8	13	130	130	160	4x6211 ZZ	55	1900	KP527-8	31
520	8	8	13	130	130	160	4x6211 ZZ	55	1900	KP528-8	31
520	4	10	17	110	110	160	4x6211 ZZ	55	1900	KP524-10	30
520	5	10	17	110	110	160	4x6211 ZZ	55	1900	KP525-10	30
520	6	10	17	130	130	160	4x6211 ZZ	55	1900	KP526-10	31
520	4	12	19	110	110	160	4x6211 ZZ	55	1900	KP524-12	30
520	5	12	19	110	110	160	4x6211 ZZ	55	1900	KP525-12	30
520	6	12	19	130	130	160	4x6211 ZZ	55	1900	KP526-12	31
520	4	13	20	110	110	160	4x6211 ZZ	55	1900	KP524-13	30
520	5	13	20	130	130	160	4x6211 ZZ	55	1900	KP525-13	31
520	6	13	20	130	130	160	4x6211 ZZ	55	1900	KP526-13	31

KP SERİSİ - ASPAMİD® PLASTİK KASNAKLARI

KP SERIES - ASPAMID® PLASTIC SHEAVES (PULLEYS)

1:1 - 1:2 - 1:4 ASKI
1:1 - 1:2 - 1:4 ROPING

SABİT MİL
FIXED AXLE



Ø560 mm

MİL BOYU | AXLE LENGTH

350 mm

KASNAK ÇAPI NOMINAL DIAMETER (Ø mm)	KANAL SAYISI NUMBER OF GROOVES	HALAT ÇAPI ROPE DIAMETER (Ø mm)	HALAT MERKEZİ DISTANCE BETWEEN ROPES (mm)	GENİŞLİK CROWN WIDTH (mm)	GÖBEK GENİŞLİK HUB WIDTH (mm)	GÖBEK DIŞI ÇAP HUB OUTSIDE DIAMETER (Ø mm)	RULMAN BALL BEARING	MİL ÇAPI AXLE DIAMETER (Ø mm)	STATİK YÜK STATIC LOAD (kg)	ÜRÜN KODU PRODUCT CODE	AĞIRLIK WEIGHT (INCLUDE PILLOW BLOCKS) (kg)
D			C	A	B	E					
560	4	10	17	170	170	160	4x6211 ZZ	55	1900	KP564-10	34
560	5	10	17	170	170	160	4x6211 ZZ	55	1900	KP565-10	34
560	6	10	17	170	170	160	4x6211 ZZ	55	1900	KP566-10	34
560	7	10	17	170	170	160	4x6211 ZZ	55	1900	KP567-10	34
560	8	10	17	170	170	160	4x6211 ZZ	55	1900	KP568-10	34
560	9	10	17	170	170	160	4x6211 ZZ	55	1900	KP569-10	34
560	4	12	19	170	170	160	4x6211 ZZ	55	1900	KP564-12	34
560	5	12	19	170	170	160	4x6211 ZZ	55	1900	KP565-12	34
560	6	12	19	170	170	160	4x6211 ZZ	55	1900	KP566-12	34
560	7	12	19	170	170	160	4x6211 ZZ	55	1900	KP567-12	34
560	8	12	19	170	170	160	4x6211 ZZ	55	1900	KP568-12	34
560	4	13	20	170	170	160	4x6211 ZZ	55	2400	KP564-13	34
560	5	13	20	170	170	160	4x6211 ZZ	55	2400	KP565-13	34
560	6	13	20	170	170	160	4x6211 ZZ	55	2400	KP566-13	34
560	7	13	20	170	170	160	4x6211 ZZ	55	2400	KP567-13	34
560	4	14	21	170	170	160	4x6211 ZZ	55	2400	KP564-14	34
560	5	14	21	170	170	160	4x6211 ZZ	55	2400	KP565-14	34
560	6	14	21	170	170	160	4x6211 ZZ	55	2400	KP566-14	34
560	7	14	21	170	170	160	4x6211 ZZ	55	2400	KP567-14	34